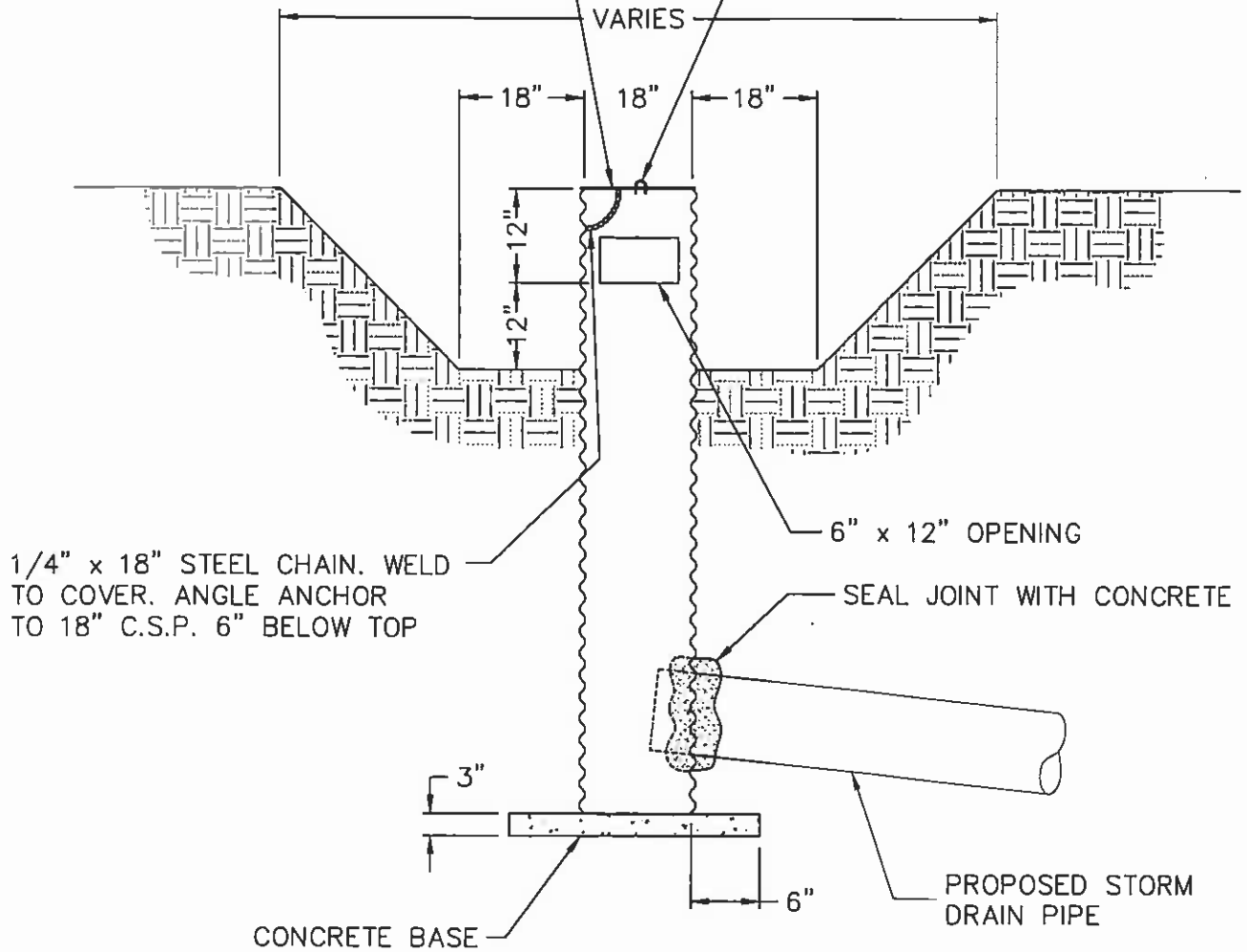


COVER 21" DIA. 3/16" STEEL CHECKER PLATE. WELD 4 - 2" SECTIONS OF 1-1/4" x 1-1/4" x 3/16" ANGLED ON BOTTOM OF COVER 2-1/2" FROM EDGE


WELD "U" BRACKET TO 18" C.S.P. WALL AND SLOT LID SO BRACKET WILL POKE THROUGH FOR LID LOCK DOWN



NOTE:

ALL SHARP CORNERS AND EDGES THAT ARE MARRED, CUT OR ROUGHENED SHALL BE ROUNDED BY GRINDING AND PAINTED WITH 2 APPLICATIONS OF UNTHINNED COMMERCIAL QUALITY ZINC-RICH PRIMER CONFORMING TO THE REQUIREMENTS OF SECTION 91-2.01 OF THE STATE STANDARD SPECIFICATIONS.

THE CITY OF WEST SACRAMENTO - STANDARD DETAIL

APPROVED BY: 	C-38733 P.E. NO.	3/31/05 DATE
REVISION:		
REVISION:		
REVISION:		
REVISION:		

TITLE:
TEMPORARY DRAINAGE INLET

STANDARD DETAIL # 801

